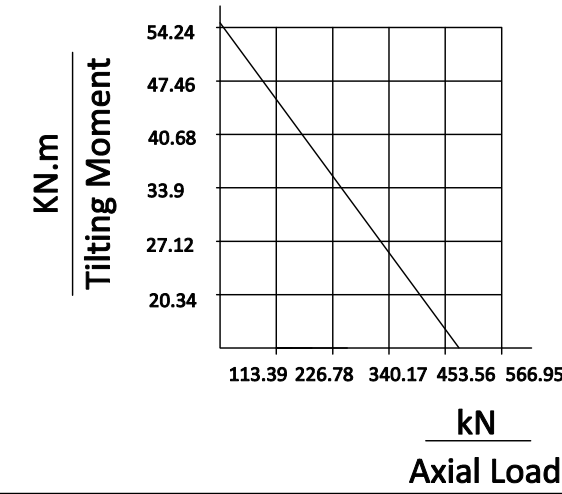
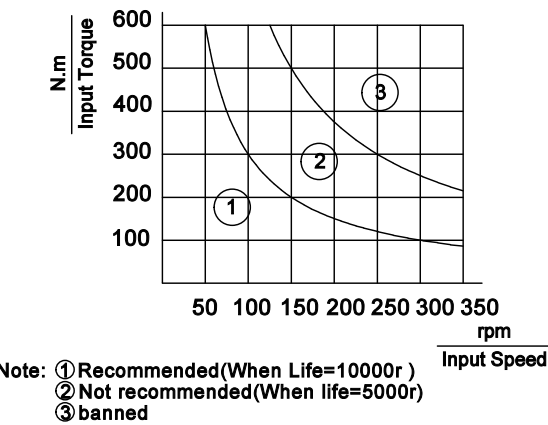


**MOMENT LOAD CHART**  
Axial Load & Tilting Moment



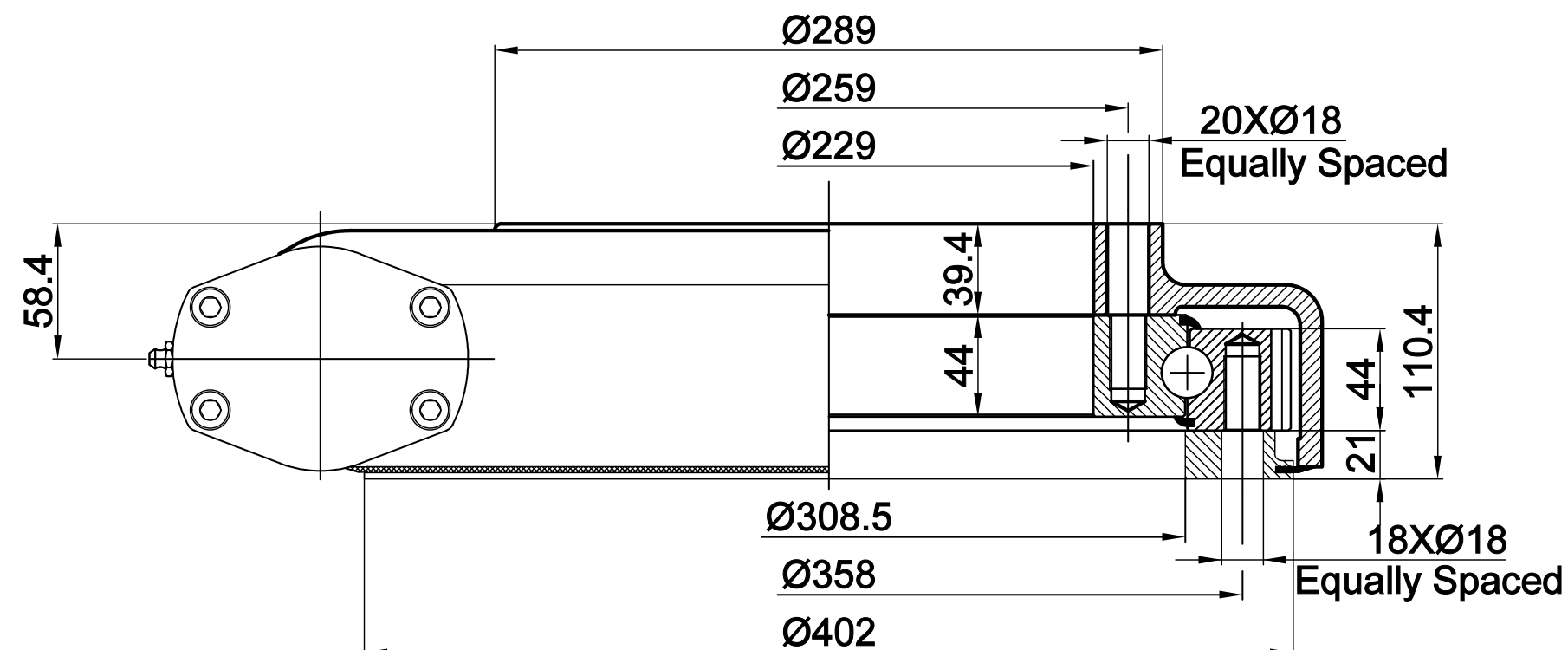
**TORQUE SPEED CHART**  
Input Speed & Input Torque



19XM16 Tap32  
Based On 20  
Equally Spaced

**Wire Define:**

- Pin 1 (black) motor -
- Pin 2 (red) motor +
- Pin 3 (black thin) Hall -
- Pin 4 (red thin) Hall +
- Pin 5 (green) Hall A
- Pin 6 (blue) Hall B
- Pin E (yellow green) GND



**Slewing Drive Performance Parameters**

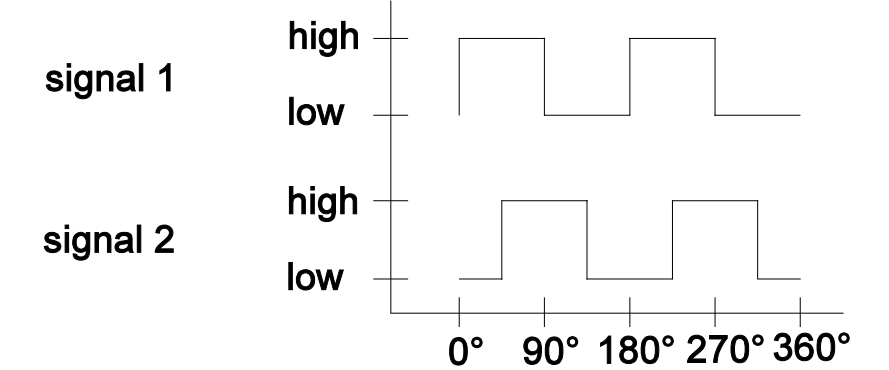
Rated Output Speed	0.038 rpm	
Output Torque	1029.6 N.m	759.4 lbf.ft
Tilting Moment	54.3 kN.m	40x10 <sup>3</sup> lbf.ft
Holding Torque	43 kN.m	32x10 <sup>3</sup> lbf.ft
Static Axial Load Rating	475 kN	107x10 <sup>3</sup> lbf
Static Radial Load Rating	190 kN	42x10 <sup>3</sup> lbf
Gear Ratio	78:1	
Precision	≤0.17°	

**24VDC Planetary Reducer Motor Performance Data (24H/30/33)**

Rated Voltage	24 VDC
Rated Current	<1.9 A
Gear Ratio	575 : 1
Noises	≤65 dB
IP Class	IP65
Temperature	-40 - +60°C

**MAGNETIC PULSE GENERATOR DATA**

Output type	-	voltage output
pull-up resistor	-	yes
Output signal	-	2 square wave signals
Phase quadrature	-	90°
Impulses per revolution	ppr	2, channels A and B
Operating voltage	VDC	UN=12(5... 24)
Operating current	mA	max. 12 (U=24V)
Deviation of pulse width	-	max. 15°
Deviation of phase shift	-	max. 15°
Output voltage(low level)	VDC	max. 0.4 (20mA)
SIGNAL RISE TIME	ns	85
SIGNAL DECAY TIME	ns	60
Operation temperature	°C	-40 ... +85



REV.	Date	Reviser	Description
Designed By	2019.11.28	SXQ	Jiangyin SunSlew Machinery Equipment Co.,Ltd www.sunslew.com
Checked By	2019.11.28	CK	
Approved By	2019.11.28	HXL	
The information contained in the document is property of SunSlew. SunSlew reserve changes of manufacture without previous advice and duty of communication. It is not allowable any copy or reproduction of this certificated copy with the original not under control.			<b>Slewing Drive</b> SD12-78B-RC-24H3033
SYMBOLS ISO			WEIGHT SCALE 1:4 SIZE SHEET A4 1/1
			REV A